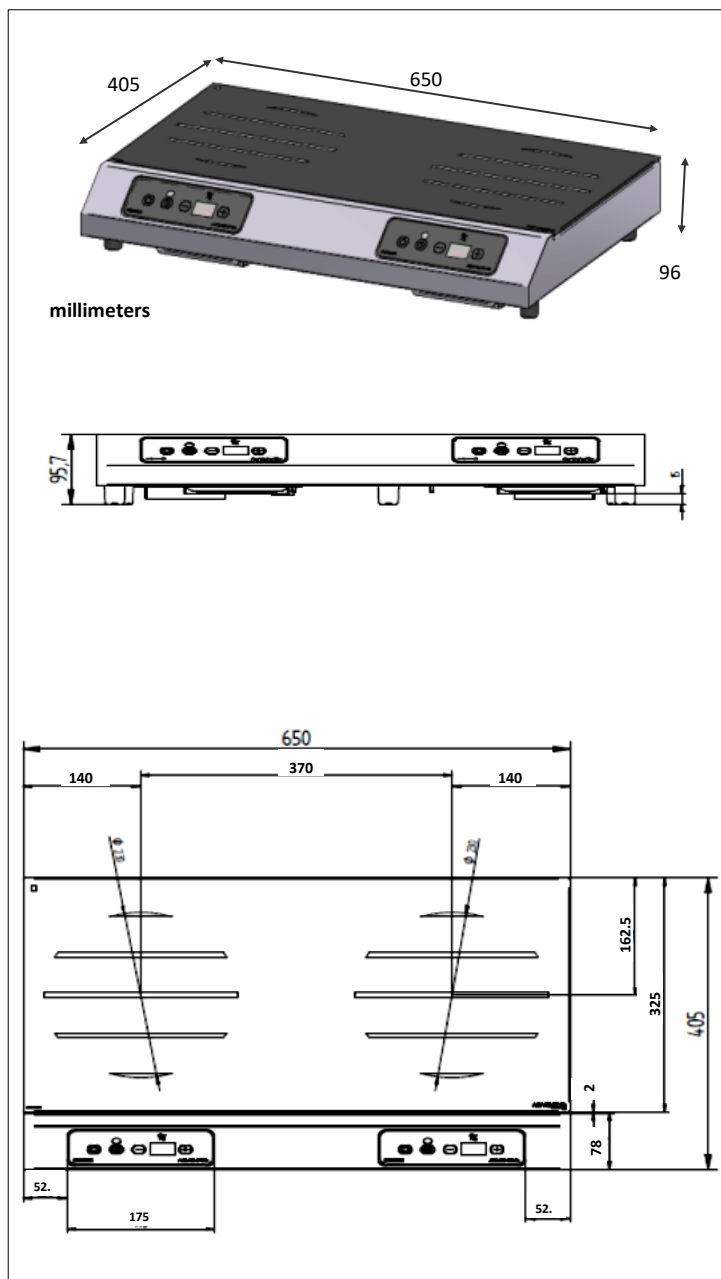


## TECHNICAL FEATURES

<b>External structure</b>	AISI 304 stainless steel
<b>Dimensions</b>	405 x 650 x 96
<b>Power</b>	7000W
<b>Cooking surface</b>	Vitroceramic glass.
<b>Control panel</b>	Glass touches
<b>Amp</b>	2 x 16 A
<b>Functions</b>	(x2) On/Off, manual temperature setting (+/-) and timer control with 2 digits display (works for both power and timer).
<b>Power supply</b>	Cable without plug for single-phase or three-phase connection.
<b>Weight</b>	10 kg kg / 22.1 lbs.
<b>Standards</b>	Complies with European standards for safety of electrical appliances.
<b>Details &amp; Options</b>	Including a power cord and a washable filter (wash regularly).



**ADVENTYS**  
Route de Pagny - 21250 Seurre - France  
www.adventys.com  
sales@adventys.com  
T: +33 3 80 20 46 15

*Important note*

Adventys reserves the right to modify specifications without notice.